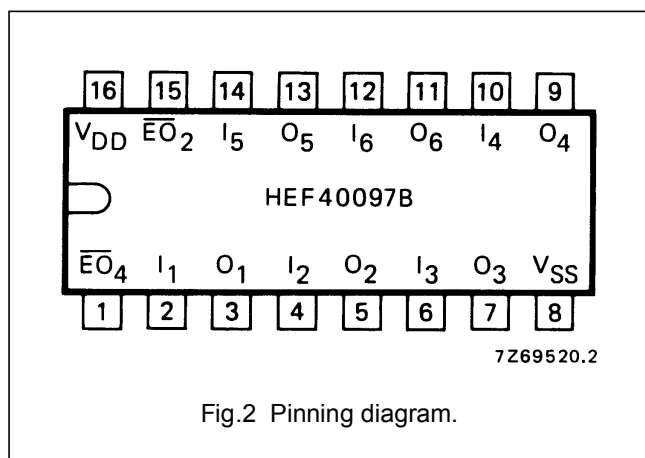
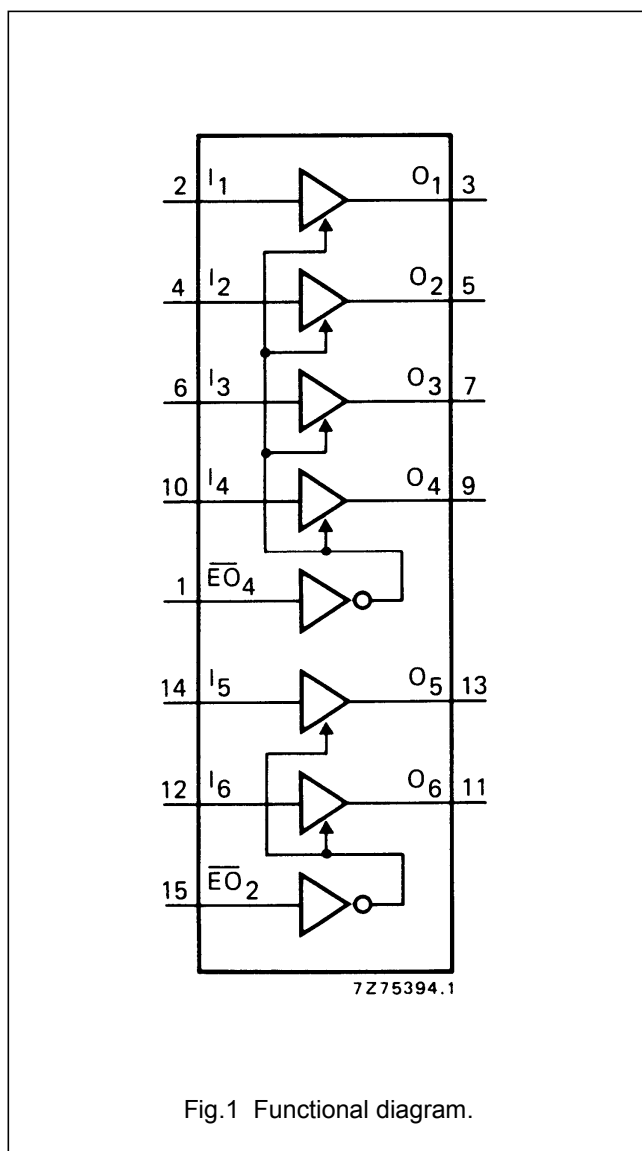


### 3-state hex non-inverting buffer

## HEF40097B buffers

#### DESCRIPTION

The HEF40097B is a hex non-inverting buffer with 3-state outputs. The 3-state outputs are controlled by two enable inputs ( $\overline{EO}_4$  and  $\overline{EO}_2$ ). A HIGH on  $\overline{EO}_4$  causes four of the six buffer elements to assume a high impedance or OFF-state, regardless of the other input conditions and a HIGH on  $\overline{EO}_2$  causes the outputs of the remaining two buffer elements to assume a high impedance or OFF-state, regardless of the other input conditions.



- HEF40097BP(N): 16-lead DIL; plastic (SOT38-1)
- HEF40097BD(F): 16-lead DIL; ceramic (cerdip) (SOT74)
- HEF40097BT(D): 16-lead SO; plastic (SOT109-1)
- ( ): Package Designator North America

#### PINNING

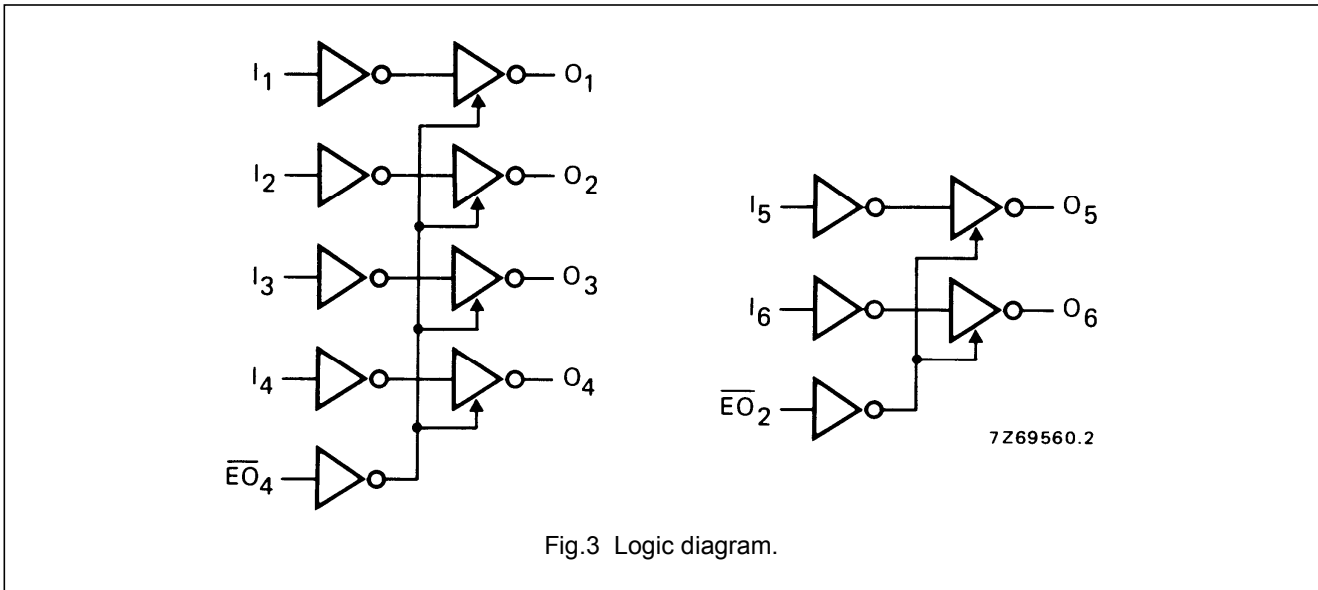
- $I_1$  to  $I_6$  buffer inputs
- $\overline{EO}_4, \overline{EO}_2$  enable inputs (active LOW)
- $O_1$  to  $O_6$  buffer outputs (active HIGH)

#### FAMILY DATA, $I_{DD}$ LIMITS category BUFFERS

See Family Specifications

3-state hex non-inverting buffer

HEF40097B  
buffers



DC CHARACTERISTICS

V<sub>SS</sub> = 0 V

HEF	V <sub>DD</sub> V	V <sub>OH</sub> V	V <sub>OL</sub> V	SYMBOL	T <sub>amb</sub> (°C)						
					-40		+25		+85		
					MIN.	MAX.	MIN.	MAX.	MIN.	MAX.	
Output current HIGH	5	4,6		-I <sub>OH</sub>	1,2		1,0		0,8		mA
	10	9,5			3,8		3,2		2,5		mA
	15	13,5			12,0		10,0		8,0		mA
HIGH	5	2,5		-I <sub>OH</sub>	3,8		3,2		2,5		mA
Output current LOW	4,75		0,4	I <sub>OL</sub>	3,5		2,9		2,3		mA
	10		0,5		12,0		10,0		8,0		mA
	15		1,5		24,0		20,0		16,0		mA

HEC	V <sub>DD</sub> V	V <sub>OH</sub> V	V <sub>OL</sub> V	SYMBOL	T <sub>amb</sub> (°C)						
					-55		+25		+125		
					MIN.	MAX.	MIN.	MAX.	MIN.	MAX.	
Output current HIGH	5	4,6		-I <sub>OH</sub>	1,25		1,0		0,6		mA
	10	9,5			4,0		3,2		2,1		mA
	15	13,5			12,5		10,0		6,7		mA
HIGH	5	2,5		-I <sub>OH</sub>	4,0		3,2		2,1		mA
Output current LOW	4,75		0,4	I <sub>OL</sub>	3,6		2,9		1,9		mA
	10		0,5		12,5		10,0		6,7		mA
	15		1,5		25,0		20,0		13,0		mA